

How to Draw an Eye

Hey 4th & 5th graders...
try this!

Our incredible 3rd grade
CUBS completed this FUN
ART activity as we needed
practice for our BIG Color
Wheel Eye Project.

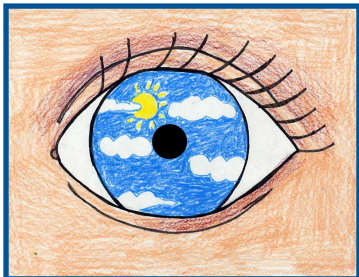
Don't forget to shade the
outside skin area. Select
hues of your liking!

Materials:

a CD or DVD
paper
pencil
color pencils or crayons

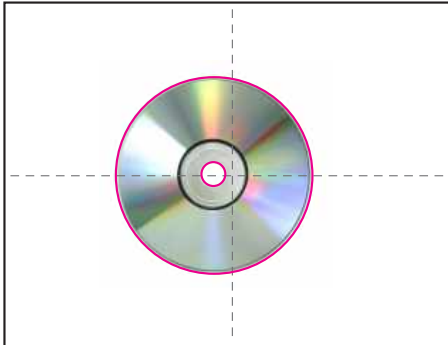
source: [https://
artprojectsforkids.org](https://artprojectsforkids.org)

“I Spy” CUBS admiring
3rd grader Hannah Moeai’s
art work!

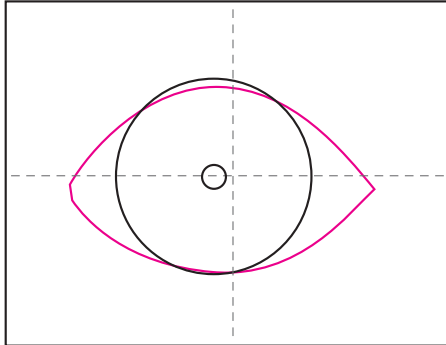


Mrs. Kamp-Berger's Hannah Moeai
caught our eye!

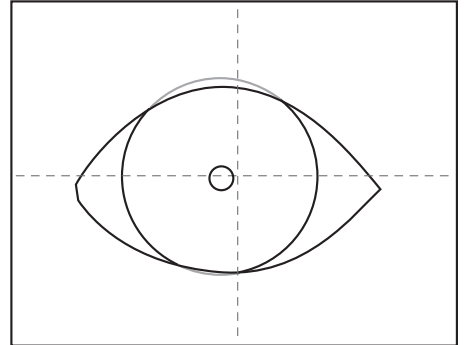
How to Draw an Eye



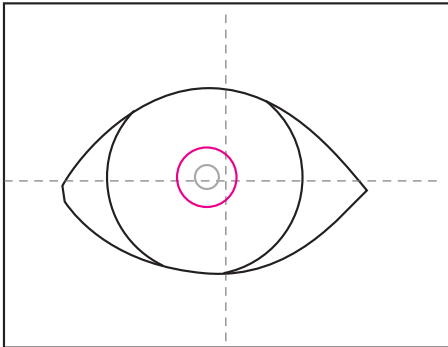
1. Make guidelines. Trace a CD and inside hole.



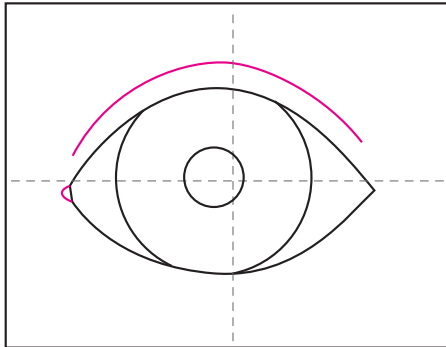
2. Draw a large eye, that crops the circle a bit.



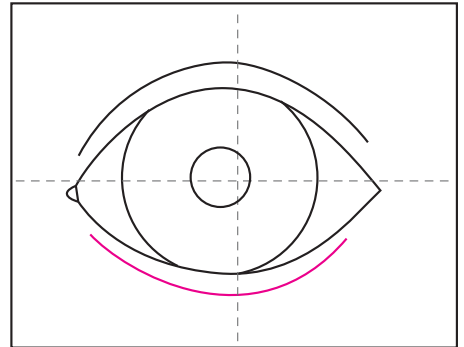
3. Erase the circle lines outside the eye.



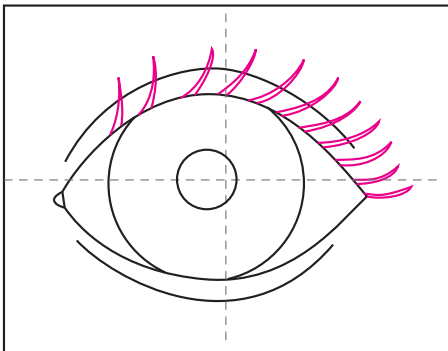
4. Use center circle to draw a larger pupil.



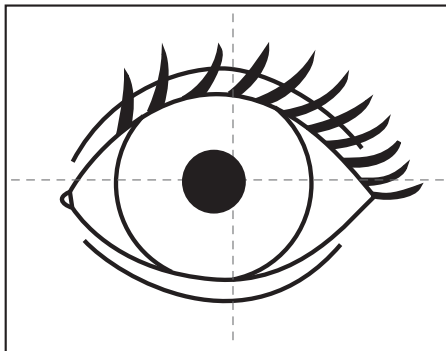
5. Draw tear duct and top eye lid edge.



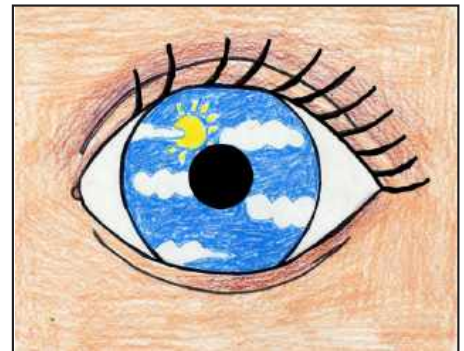
6. Draw the bottom eye lid edge.



7. Add eyelashes.



8. Fill in lashes and pupil with black marker.



9. Complete eye with something you see.